

2x G 3/8-19 -

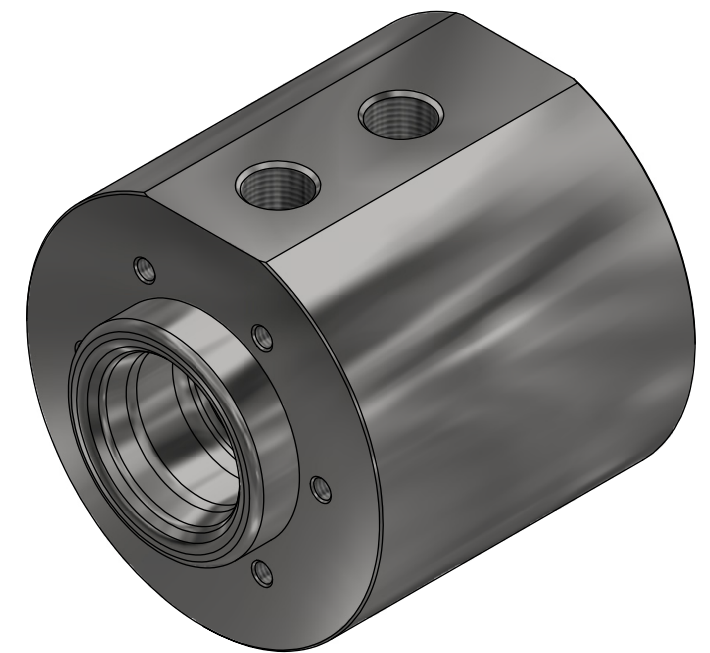
NOTE: 1
DESIGN CODE:
API 17H/6A

NOTE: 2
TECHNICAL CLASSIFICATION:
Article Type: 001-Hot Stabs
Main Group: 1.01. Ø35 Hot Stab
Intermediate Group: 1.1.02. Receptacle
Sub Group: 1.1.2.02. Dual

NOTE: 3
INTERFACE INFORMATION:
Pressure Rating Bar: 1380
Design Water Depth: N/A
Material: S32760 SUPER DUPLEX
Weight: 4,7 kg
Volume: 0,6 dm³
Submerged Weight: 4,11 kg
Surface Area: 577 cm²
Hydraulic: BSP 3/8"
Mechanical: 6xM6@PCD 66
Electrical: N/A
Com. & Protocol: N/A

NOTE: 4
ADDITIONAL INFORMATION:
The Ø35mm Blue Logic Hot Stab is made according to API 17H. This Hot Stab is in general designed for flow up to approx 25 liters pr. munute. We have pressure rating up to PSI 20K or 1380 Bar. The Hot Stab system can also be fitted with an lock-system.

Other hydraulic port interface can be delivered on customers request.



Rev.	Date	Reason for issue	Revision change	Made	Chk'd	Appr.
04	5.3.2026	7-IFC (Issued for Construction)		WTJ	HNJ	WTJ
03	3.6.2014	6-IFC (Issued for Construction)		WTJ	HNJ	WTJ
02	3.10.2011	6-IFC (Issued for Construction)		VFA	EKJ	LGH



Unless Noted Otherwise:
Dim. Tol: NS-ISO 2768-1N/A
Roughness: RaN/A
Fillet Rad: Corner Rmax: N/A

Dwg. Scale: NTS
Dwg. Proj:
Dwg. Format: A3
Break Edges: (R. Alt. 45°) R= 0,1-0,5

Drawing title: Ø35 DP Rec 20k Interv BSP 3/8"
Drawing number: PA0429